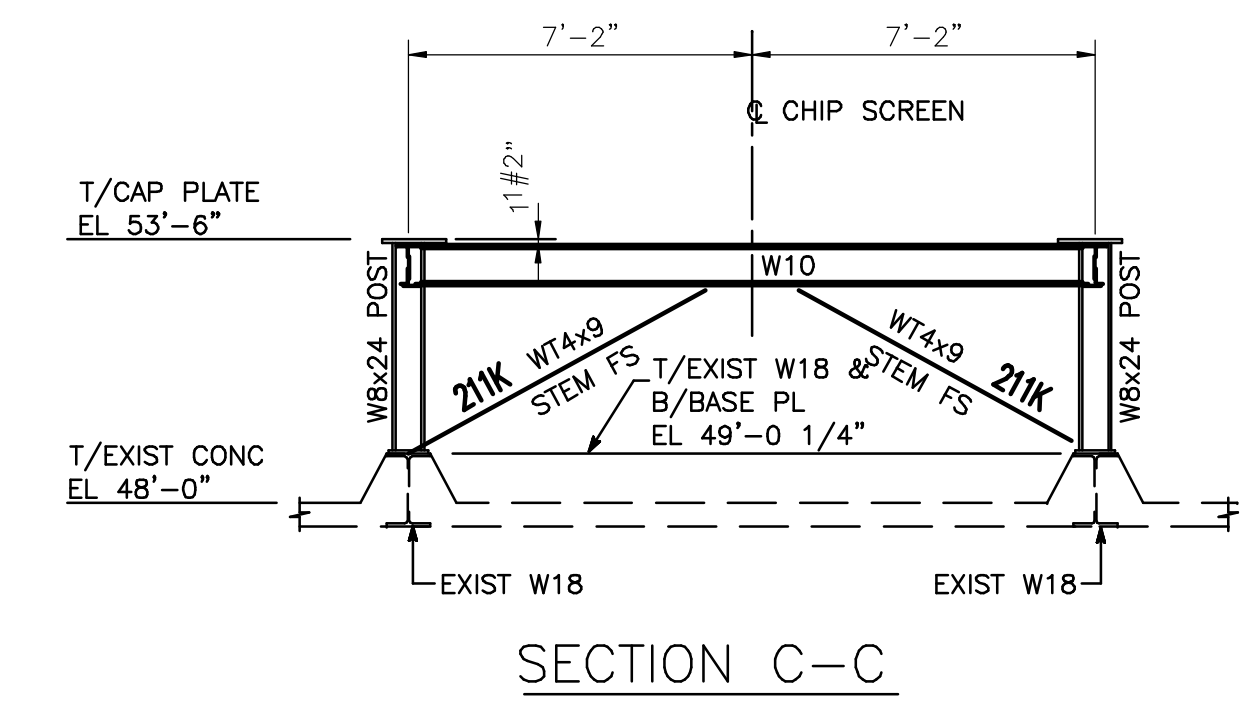
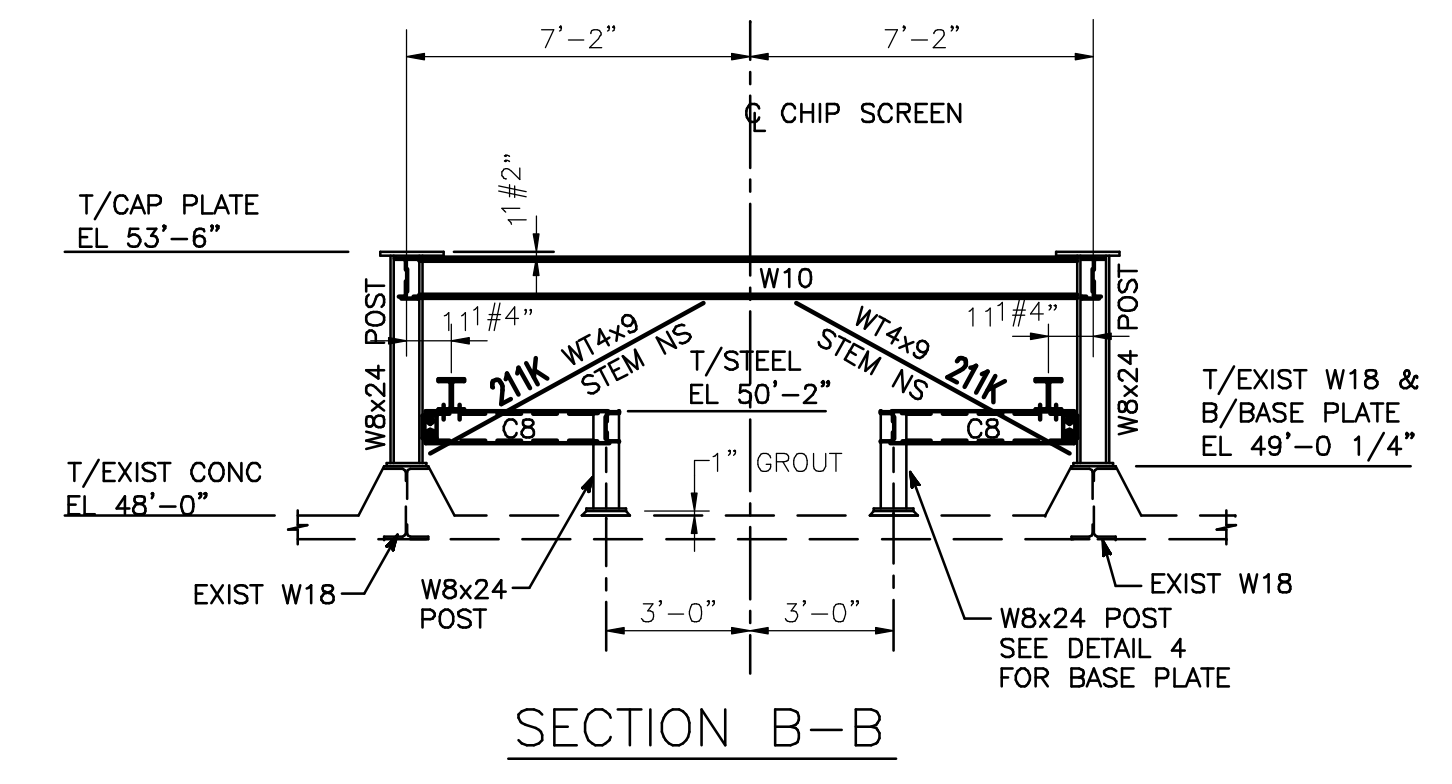
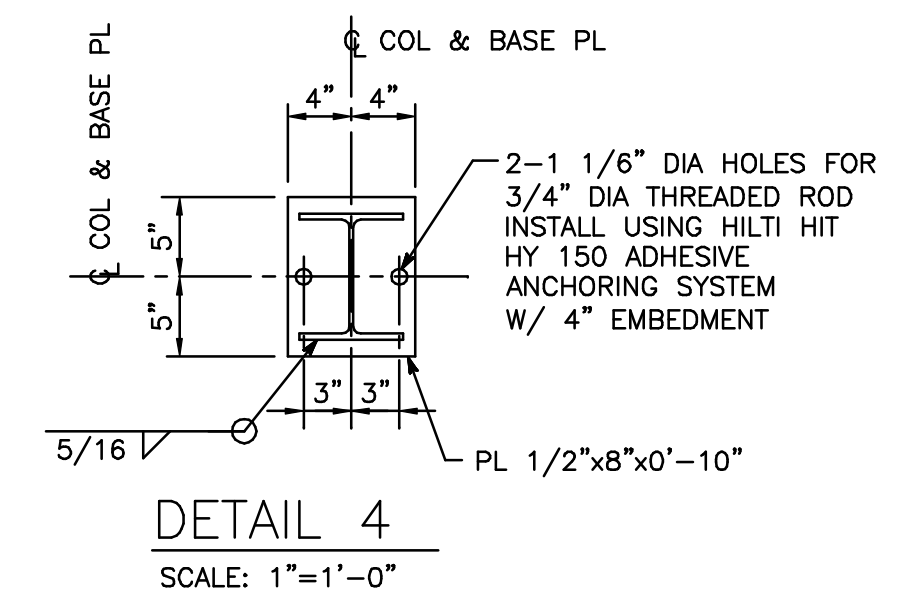
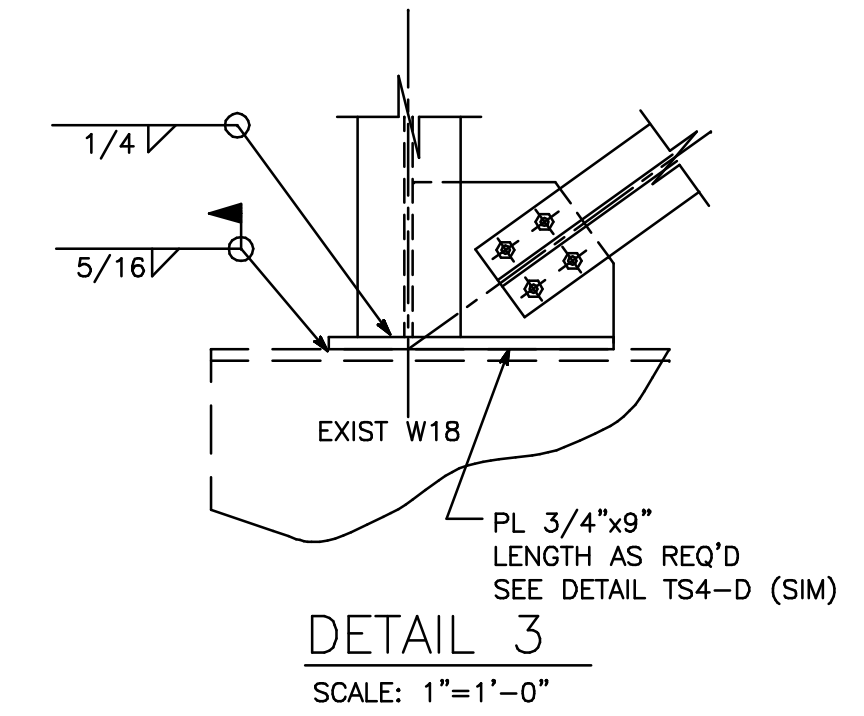
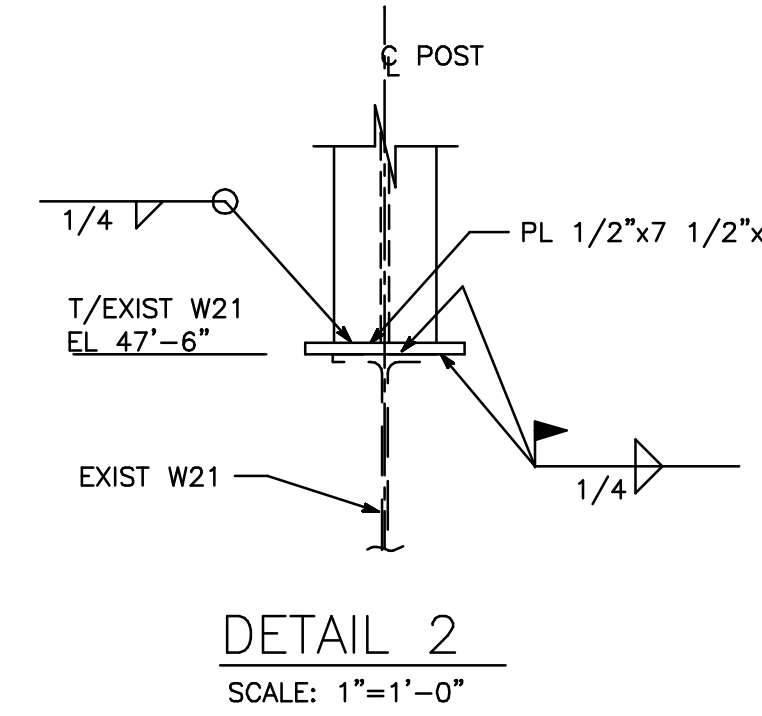
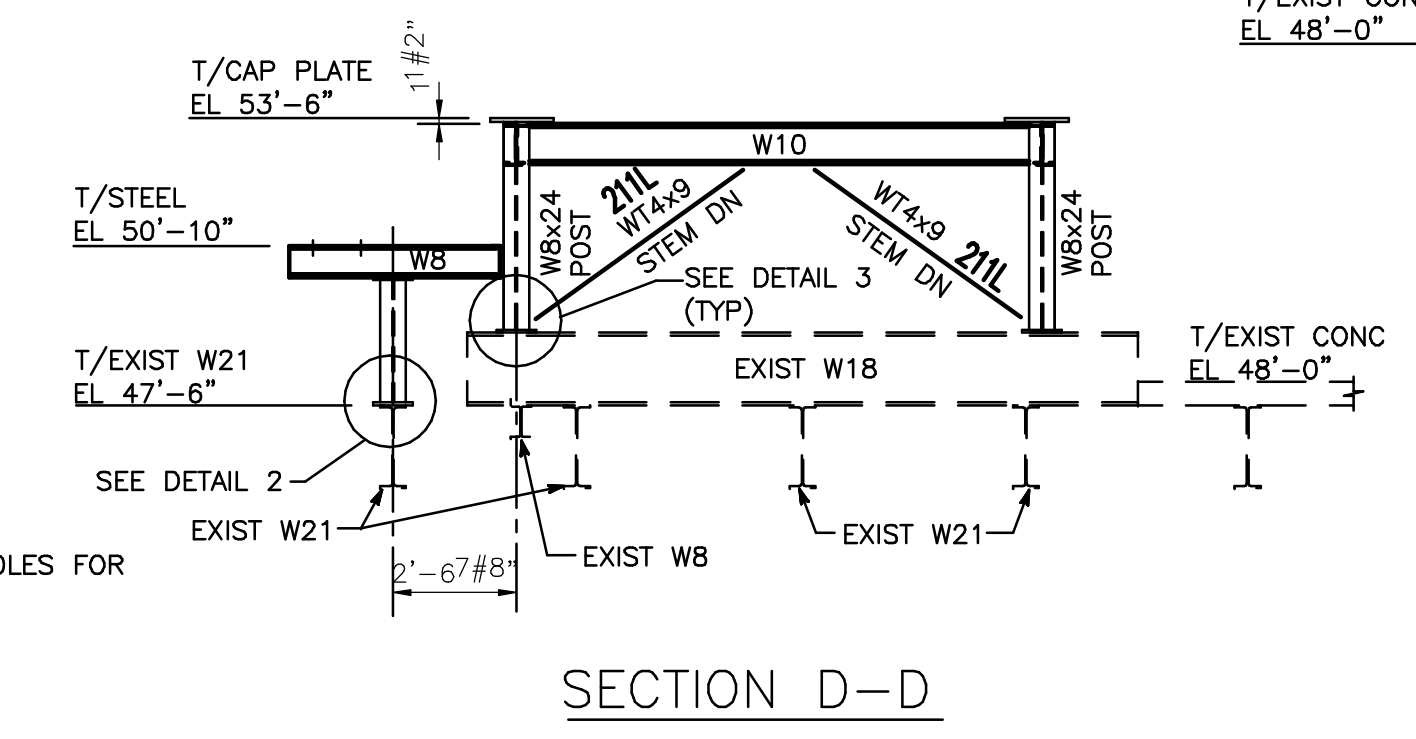
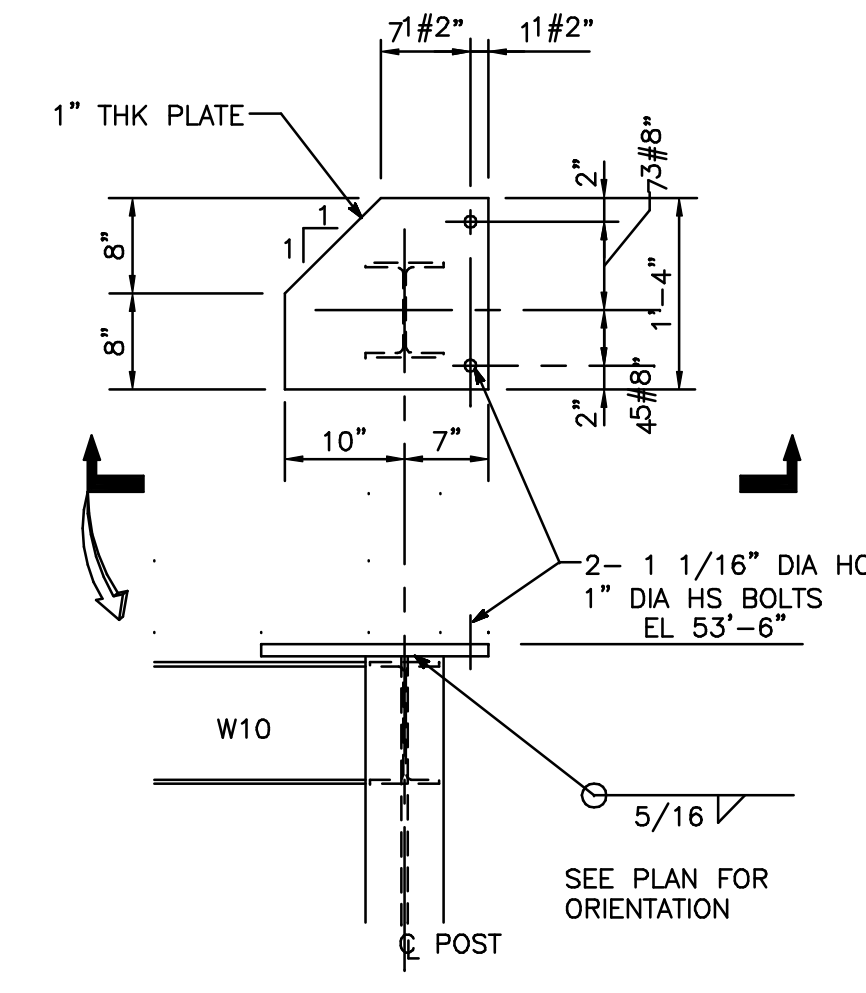
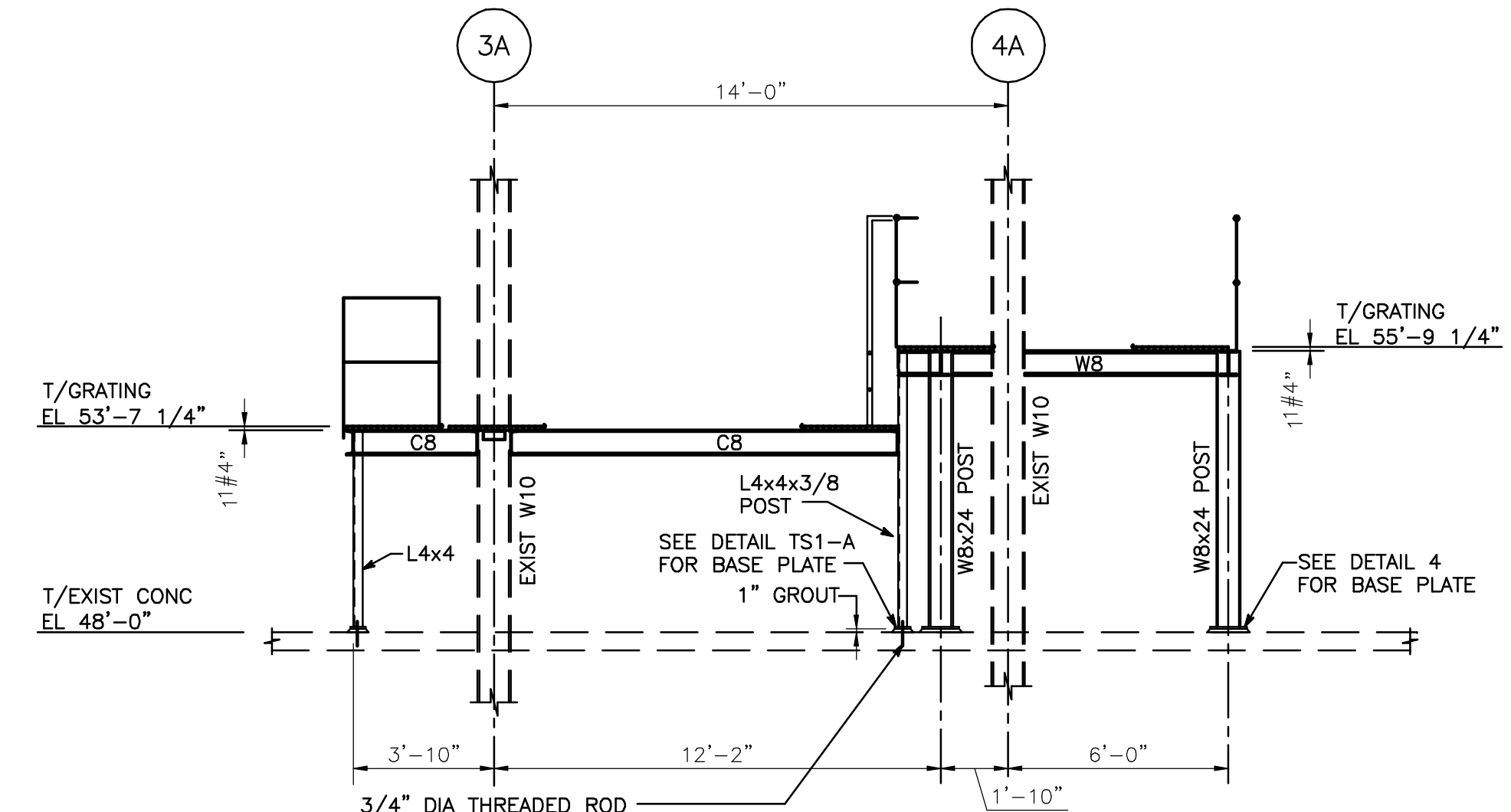


* TOP OF STEEL AT EL 50'-2"
 ** TOP OF STEEL AT EL 50'-10"
 FRAMING PLAN AT EL 53'-4 1/2" UNLESS NOTED
 C8 INDICATES C8x11.5
 WT'S ARE STEM DOWN UNLESS OTHERWISE NOTED



NO.	DATE	REVISIONS	BY

SCALE: 1/4"=1'-0"	DRAWN BY: BSL	
DATE: 9/4/06	APPROVED BY:	
FRAMING PLAN & DETAILS PLATFORM @ EL. 53'-4 1/2"		
PROJECT NO.	DRAWING NO. E-102	REVISION 0