

SHOP BILL

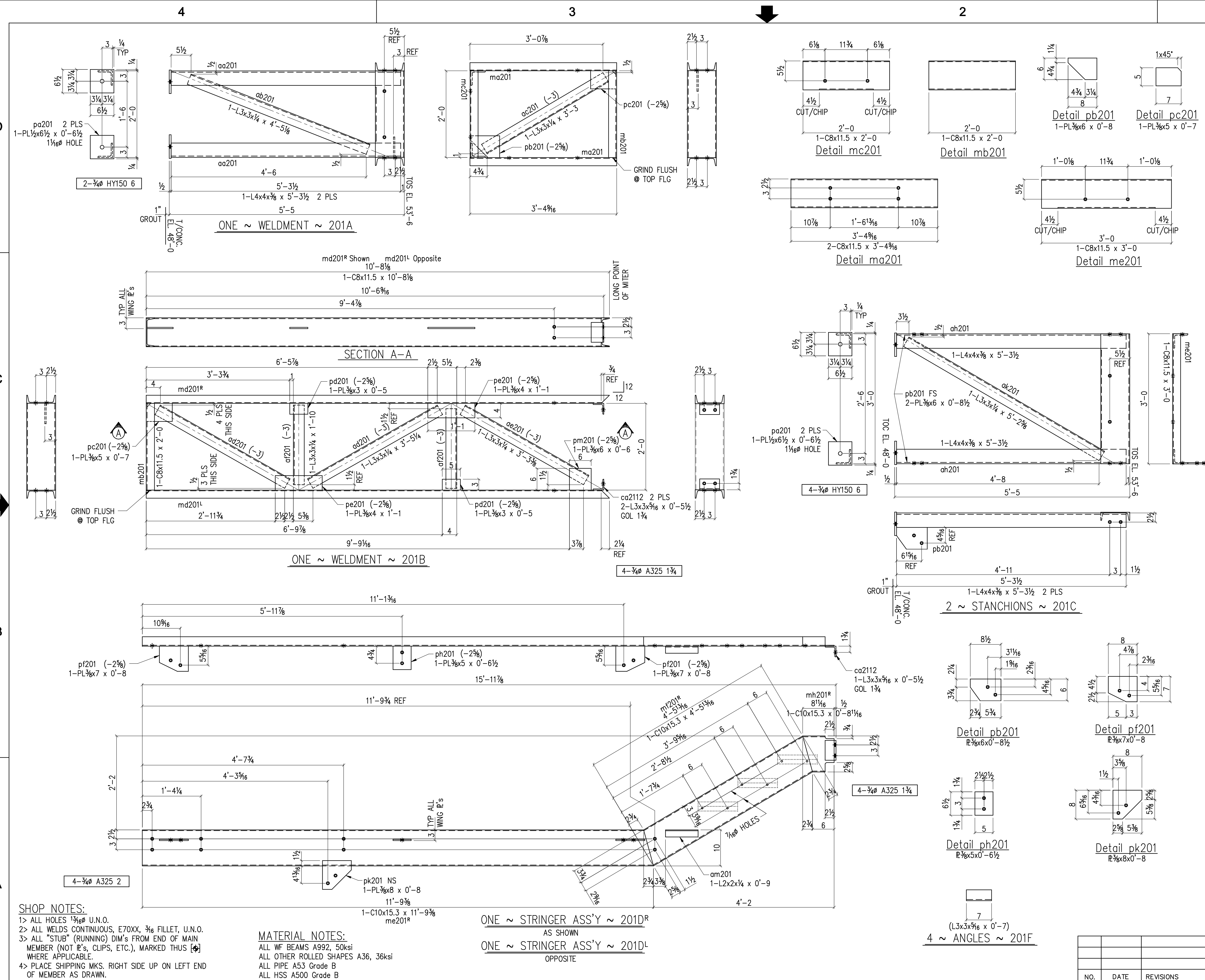
SHIP MK.	SUB MK.	QTY.	DESCRIPTION	FT.	IN.	REMARKS	WEIGHT
201A		ONE	WELDMENT				
	pa201	2	PL 1/2x6 1/2	0	6 1/2		12.0
	aa201	2	L4x4x3/8	5	3 1/2		109.7
	ab201	1	L3x3x1/4	4	5 1/8		22.6
	ac201	1	L3x3x1/4	3	3		265.4
	mc201	1	C8x11.5	2	0		23.0
	mb201	1	C8x11.5	2	0		23.0
	pb201	1	PL 3/8x6	0	8		5.1
	pc201	1	PL 3/8x5	0	7		3.7
	ma201	2	C8x11.5	3	4 1/8		77.7
201B		ONE	WELDMENT				
	mb201	1	C8x11.5	2	0		23.0
	md201R	1R/1L	C8x11.5	10	8 1/8	R SHOWN L OPP.	245.6
	ad201	2	L3x3x1/4	3	5 1/4		35.1
	ae201	1	L3x3x1/4	3	3 3/8		16.7
	af201	2	L3x3x1/4	1	10		18.7
	pd201	2	PL 3/8x3	0	5		3.2
	pe201	2	PL 3/8x4	1	1		11.1
	ca2112	2	L3x3x3/16	0	5 1/2		5.8
	pm201	1	PL 3/8x6	0	6		
201C		2	STANCHIONS				
	ah201	4	L4x4x3/8	5	3 1/2		164.6
	ak201	2	L3x3x1/4	5	2 5/8		53.3
	pa201	4	PL 1/2x6 1/2	0	6 1/2		24.0
	me201	2	C8x11.5	3	0		69.0
	pb201	1	PL 3/8x6	0	8 1/2		
201D		1R/1L	STRINGER ASS'Y			R SHOWN L OPP.	
	pf201	4	PL 3/8x7	0	8		23.8
	ph201	2	PL 3/8x5	0	6 1/2		6.9
	pk201	2	PL 3/8x8	0	8		13.6
	am201	2	L2x2x1/4	0	9		5.1
	me201R	1R/1L	C10x15.3	11	9 3/8	R SHOWN L OPP.	360.5
	mf201R	1R/1L	C10x15.3	4	5 1/8	R SHOWN L OPP.	137.2
	mh201R	1R/1L	C10x15.3	0	8 1/8	R SHOWN L OPP.	22.2
	ca2112	2	L3x3x3/16	0	5 1/2		5.8
201F		4	L3x3x3/16	0	7	SHIP LOOSE	14.8

ALL MATERIALS THIS SHEET H.D. GALVANIZED U.N.O.

FIELD BOLT COUNT

8-3/4" A325 1 3/4
4-3/4" A325 2
6-3/4" HY150 6 HILTI ADHESIVE ANCHOR

ALL HARDWARE MECH. GALVANIZED



SHOP NOTES:

- ALL HOLES 1 3/16" U.N.O.
- ALL WELDS CONTINUOUS, E70XX, 3/16" FILLET, U.N.O.
- ALL "STUB" (RUNNING) DIM'S FROM END OF MAIN MEMBER (NOT R'S, CLIPS, ETC.), MARKED THUS [] WHERE APPLICABLE.
- PLACE SHIPPING MKS. RIGHT SIDE UP ON LEFT END OF MEMBER AS DRAWN.

MATERIAL NOTES:

- ALL WF BEAMS A992, 50ksi
- ALL OTHER ROLLED SHAPES A36, 36ksi
- ALL PIPE A53 Grade B
- ALL HSS A500 Grade B

ONE ~ STRINGER ASS'Y ~ 201D^R
AS SHOWN

ONE ~ STRINGER ASS'Y ~ 201D^L
OPPOSITE

NO.	DATE	REVISIONS	BY

SCALE: 1"=1'-0"

DATE: 9/4/06

DRAWN BY: BSL

APPROVED BY:

PROJECT NO. _____ DRAWING NO. D-201 REVISION 0

PLATFORM FRAMING @ T/GR'TG EL. 53'-7'4"